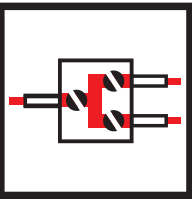
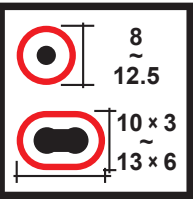

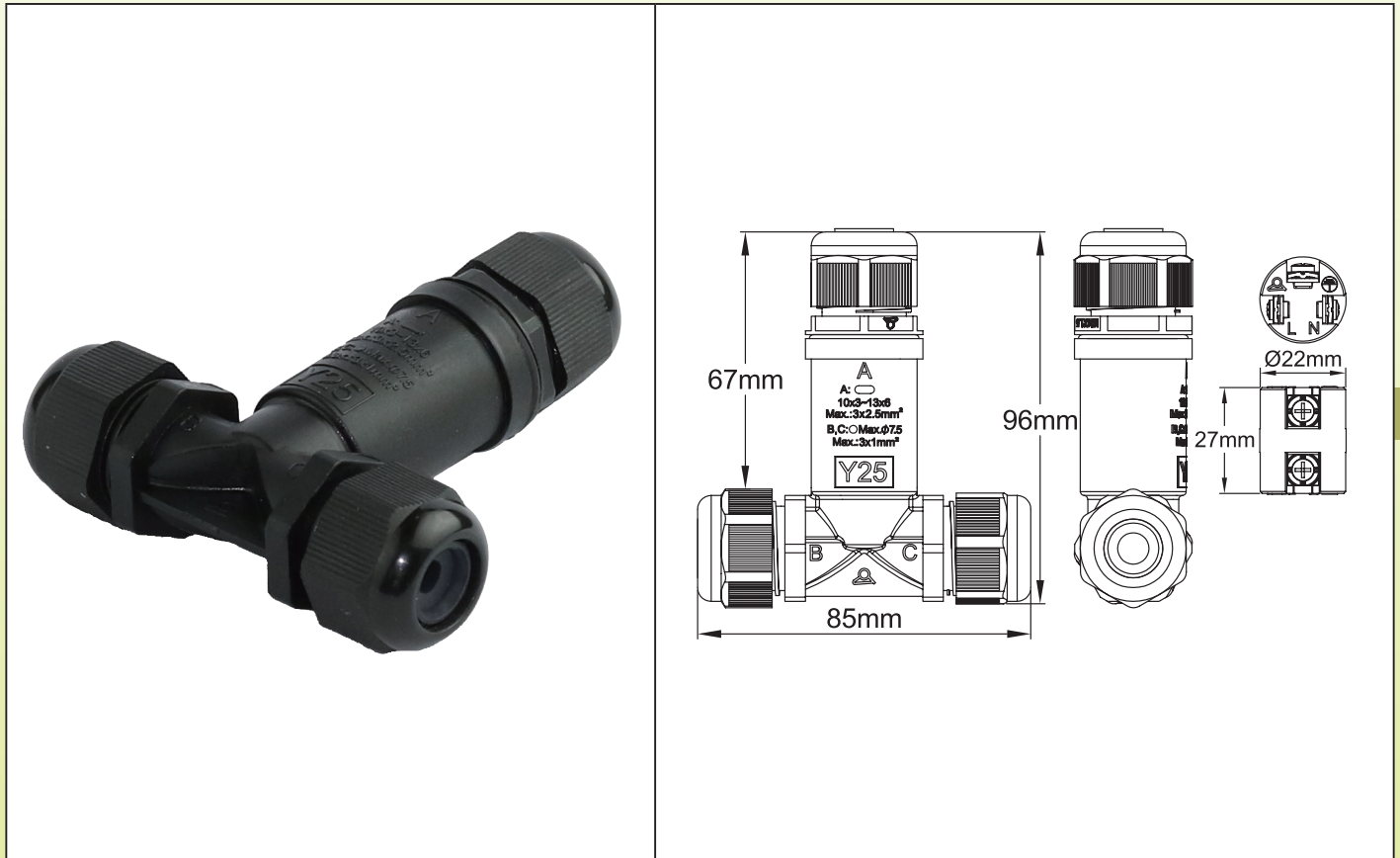


Heat tracing accessories

P1

3 ways	Cross-section	Wire diameters		Models
	0.5~2.5mm ²			Y25



Applications

This box allows to connect, with a good ingress protection (IP66), end-to-end, on field, a round or flat heating cable to a round power cable, and providing at the same time the continuity of the power line. An example of this type of connection is the feeding of heated drinking troughs in stables or breeding premises. The internal connection terminal block is in ceramic.

Main features

Material: Polyamide 66 black, 96mm x 85 mm. Good UV resistance.

Waterproof grade: IP66.

Mounting: There is no specific mounting bracket on this model.

Terminal block:

- High temperature ceramic with screw terminals with captive toothed square washers accepting bare conductors.
- 3 conductors, from 0.5 to 2.5mm² on the A output.
- 3 conductors, from 0.5 to 1 mm² on the B and C output.
- Maximum permissible intensity: 16A 250V.

Cable clamping: with M24 cable glands, with silicone gaskets.

- Maximum diameter of round cables: 7,5mm on B and C output.
- Size limits of flat cable on A output: from 10 x 3 to 13 x 6mm.

(Comes with a set of different diameters).

Excellent cable retention at the 3 ends.

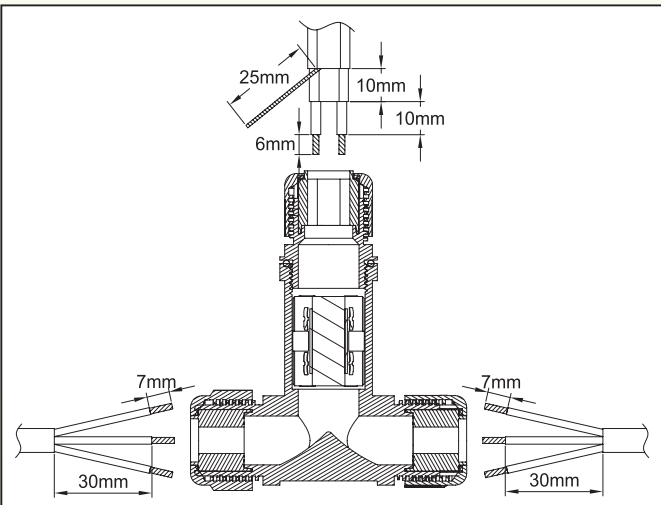
Easy assembly: it is possible to slide the ceramic terminal block out of the body to connect the cables outside of it.

Reference: Y25

Because of permanent improvement of our products, drawings, descriptions, features used on these data sheets are for guidance only and can be modified without prior advice



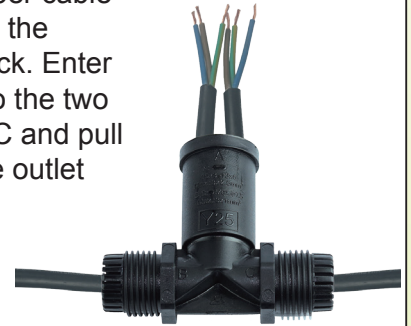
Stripping dimensions of round and oblong cables



Cable assembly operations

Pass the cables through the cable glands after sliding out the terminal block. Connect the cables to the terminal block.

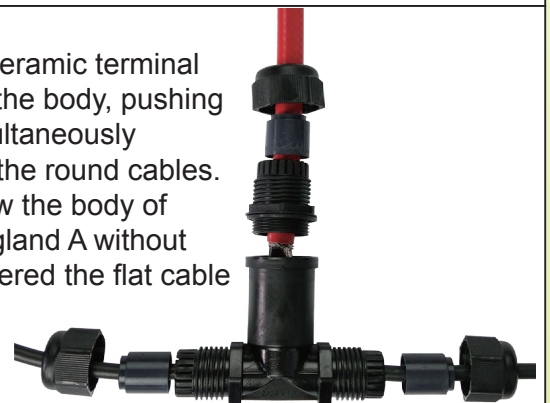
Disassemble the upper cable gland A and take out the ceramic terminal block. Enter the round cables into the two cable glands B and C and pull them out through the outlet A. Strip them out.



Slide the cable gland A, its silicone gasket and its nut onto the flat cable. Strip the flat cable. Make the connections on the ceramic terminal block.



Slide the ceramic terminal block into the body, pushing it and simultaneously pulling on the round cables. Then screw the body of the cable gland A without having entered the flat cable silicone gasket.



Slide the flat cable gasket into the A cable gland and tighten the nut.



Tighten the B and C cable-glands.



Excerpt from catalogue 12 "Heat tracing"



Page (.pdf)



Drawing 2D (.dwg)



Drawing 3D (.stp)